

SINGER
4552/4622/7028/9005/9008/9010

LIST OF PARTS

Sewing Machine Models

4552

4622

7028

9005

9008

9010

by **SINGER** *



A Publication of Product Support
International Group Engineering

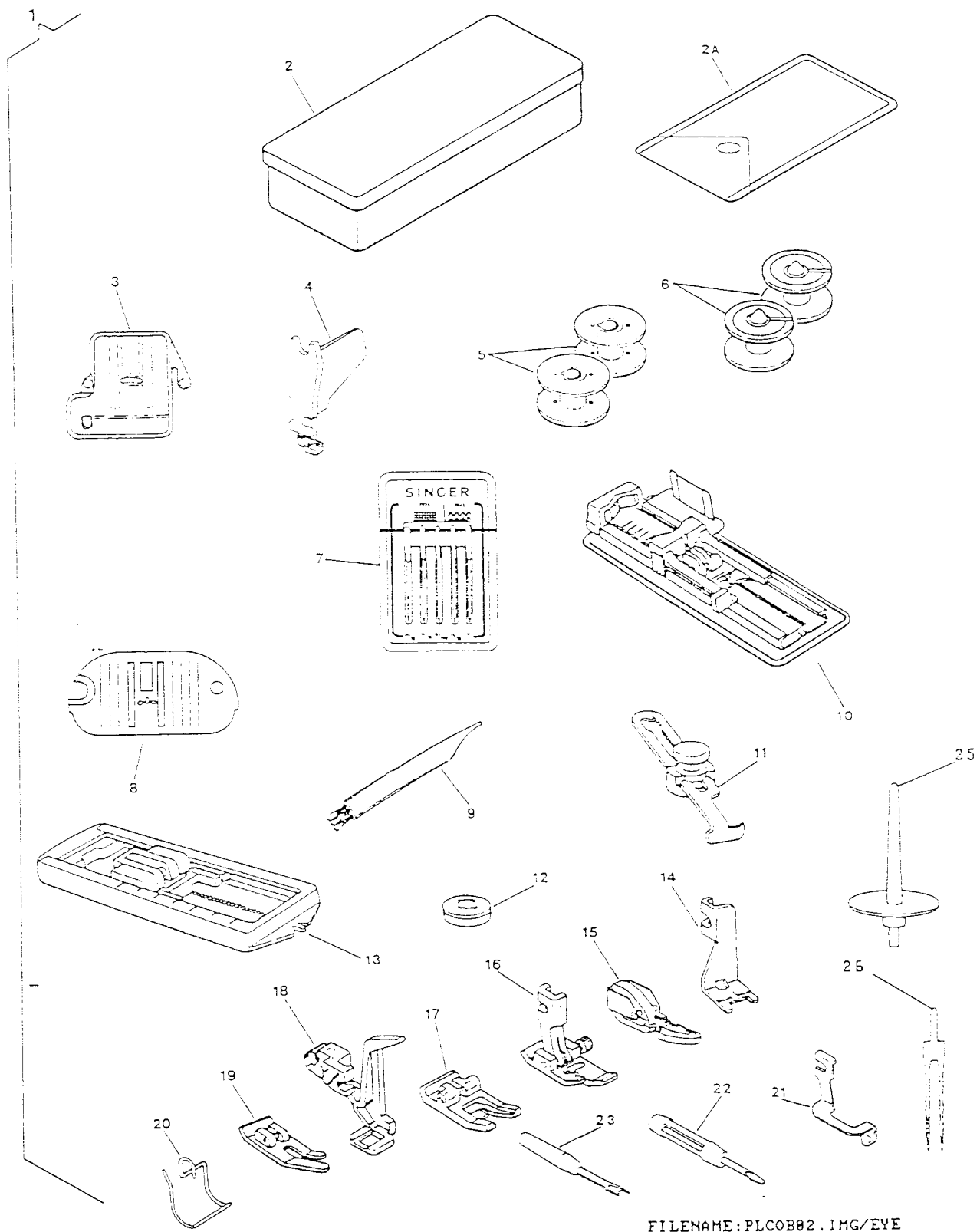
Part No. 317161-022
Printed in Taiwan

INDEX

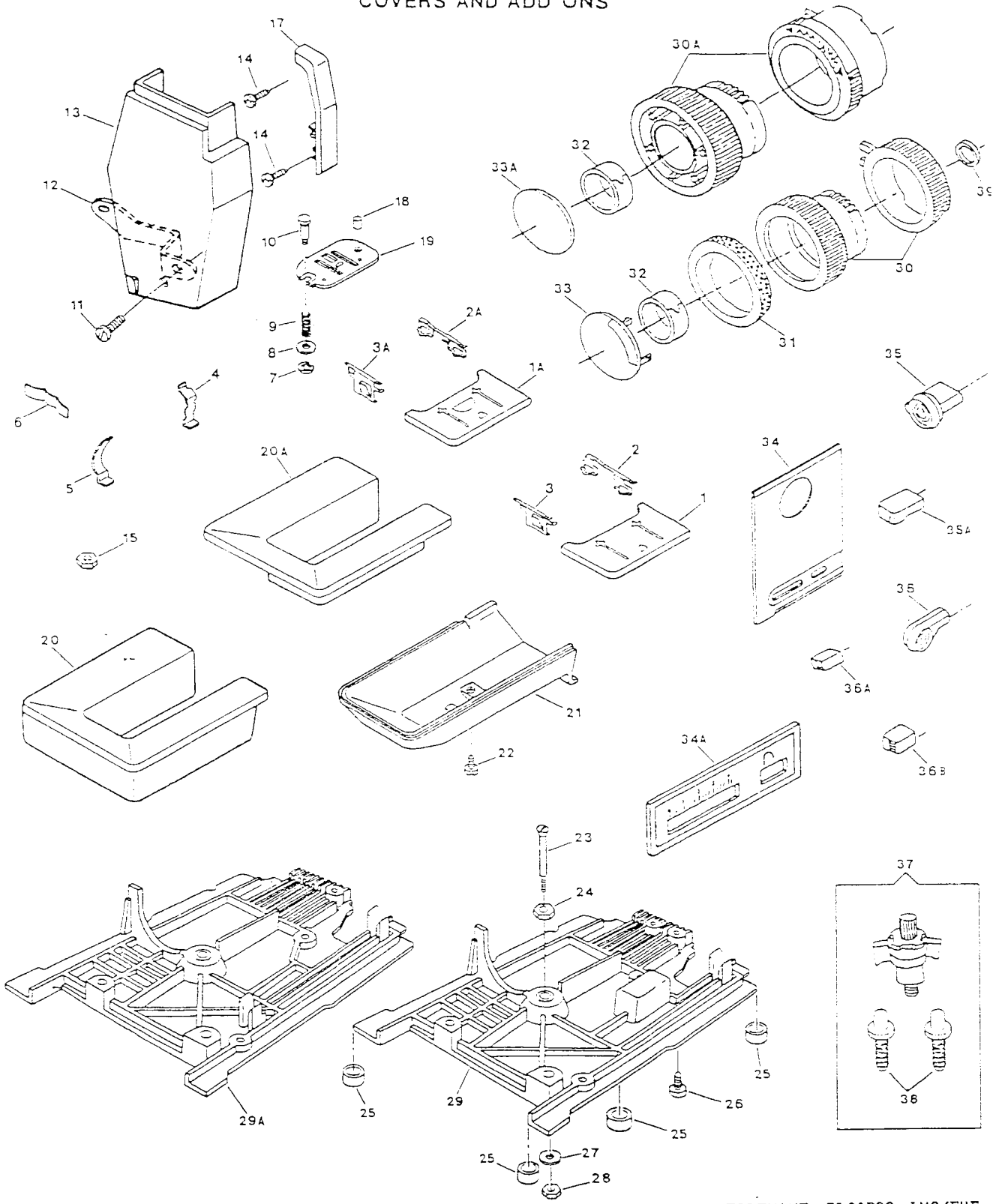
PAGE NO.	SUBASSEMBLY
1, 2	ATTACHMENT SET
3, 4	COVERS AND ADD ONS
5, 8	ARM TOP COVER
9, 10	ARM SHAFT DRIVE SYSTEM
11, 12	HAND WHEEL
13, 14	COAXIAL PRESSER BAR SYSTEM
15, 16	NEEDLE BAR & THREAD TAKE-UP
17, 18	ALPHA FEED
19, 20	HOOK SYSTEM (APOLLO)
21, 22	HOOK AND BOBBIN WINDING SYSTEM (CENTAUR)
23, 28	PATTERN, STITCH LENGTH CONTROL & CAM CONTROLLED FEED
29, 30	DEMAND RESPONSIVE NEEDLE TENSION SYSTEM
31, 34	ELECTRICAL EQUIPMENT

ATTACHMENT SET
 MODEL: 4552, 4622, 7028, 9005, 9008, 9010

REF. PART NO.	PART NO.	DESCRIPTION	4	4	7	9	9N	9	9
			5	6	0	0	03	0	0
			5	2	2	0	07	0	1
			2	2	8	5	54	8	0
1	313030-007	ATTACHMENT COMPLETE	X		X	X	X	X	X
1	313030-016	ATTACHMENT COMPLETE		X					
2A	317396	ACCESSARY BAG	X	X	X	X	X	X	X
5	172336-001	BOBBIN (APOLLO)	X	X	X	X	X	X	X
7	353364	NEEDLE PACK (ALT:384064)	X	X	X	X	X	X	X
9	546358	LINT BRUSH	X	X	X	X	X	X	X
13	313992-451	PRESSER FOOT PLATE (4-STEPS) FOR SEWING BUTTONHOLES	X	X	X	X	X	X	X
15	171480	PRESSER FOOT PLATE (SNAP-ON) FOR CORDING AND SLIDE FASTENERS COMPLETE	X	X	X	X	X	X	X
17	171463	SPECIAL PURPOSE PRESSER FOOT PLATE (SNAP-ON)	X	X	X	X	X	X	X
20	421588	FINGER GUARD (FOR CONTINENTAL EUROPE)	X	X	X	X	X	X	X
21	171110	BLINDSTITCH GUIDE	X	X	X	X	X	X	X
25	313026-452	TWIN NEEDLE SPOOL PIN							X
26	N2025	TWIN NEEDLE (SIZE 14)							X



From the library of: Diamond Needle Corp



From the library of: Diamond Needle Corp

ARM TOP COVER
MODEL: 4552 4622 7028 9005 9008 9010

REF. PART NO.	PART NO.	DESCRIPTION	4	4	7	9	9N	9	9
1A	317027-014	ARM TOP COVER COMPLETE WITH HANDLE	X						
1A	317027-018	ARM TOP COVER COMPLETE WITH HANDLE (FOR 4552N353)	X	X					
1A	317027-019	ARM TOP COVER COMPLETE WITH HANDLE	X						
1A	317122-030	ARM TOP COVER COMPLETE WITH HANDLE (FOR U.S.A.)			X				
1A	317122-031	ARM TOP COVER COMPLETE WITH HANDLE (FOR U.S.A.)						X	
1A	317122-032	ARM TOP COVER COMPLETE WITH HANDLE (FOR U.S.A.)							X
1A	317122-034	ARM TOP COVER COMPLETE WITH HANDLE (FOR U.S.A.)			X				-
1A	317122-070	ARM TOP COVER COMPLETE WITH HANDLE (TAPO2)			X				
1A	317122-071	ARM TOP COVER COMPLETE WITH HANDLE (TEMPO 50)				X			
1A	317122-092	ARM TOP COVER COMPLETE WITH HANDLE (TEMPO 60) (FOR 9008N304)						X	
1A	317122-103	ARM TOP COVER COMPLETE WITH HANDLE (TEMPO 70)							X
1A	317122-104	ARM TOP COVER COMPLETE WITH HANDLE (LASER)				X			
1A	317122-105	ARM TOP COVER ASS'Y WITH HANDLE (SAFIR)			X				
1A	317122-106	ARM TOP COVER COMPLETE WITH HANDLE (FOR 9008N354)						X	
2A	314640-134	CONTROL PANEL WITH GRAPHICS				X			
2A	314640-135	CONTROL PANEL WITH GRAPHICS						X	
2A	314640-136	CONTROL PANEL WITH GRAPHICS							X
2A	314640-137	CONTROL PANEL WITH GRAPHICS (FOR U.S.A.)			X				
2A	314640-138	CONTROL PANEL WITH GRAPHICS (TAPO2)			X				
2A	314640-139	CONTROL PANEL WITH GRAPHICS					X		
2A	314640-140	CONTROL PANEL WITH GRAPHICS (SAFIR)			X				
2A	317197-9005	CONTROL PANEL WITH GRAPHICS	X						
2A	317197-9008	CONTROL PANEL WITH GRAPHICS (FOR 4552N353)	X						
2A	317197-9006	CONTROL PANEL WITH GRAPHICS			X				
2A	314703-9119	CONTROL PANEL EXTENSION WITH GRAPHICS (FOR U.S.A.)			X				
2A	314703-9119	CONTROL PANEL EXTENSION WITH GRAPHICS (FOR U.S.A.)				X		X	X
2A	314703-6007	CONTROL PANEL EXTENSION WITH GRAPHICS (TAPO2)			X				
2A	314703-8008	CONTROL PANEL EXTENSION WITH GRAPHICS (TEMPO 50)				X			
2A	314703-8009	CONTROL PANEL EXTENSION WITH GRAPHICS (TEMPO 60) (FOR 9008N304)						X	
2A	314703-4810	CONTROL PANEL EXTENSION WITH GRAPHICS (TEMPO 70)							X
2A	314703-9551	CONTROL PANEL EXTENSION WITH GRAPHICS (TAPO2)	X						
2A	314703-9552	CONTROL PANEL EXTENSION WITH GRAPHICS (LASER)					X		
2A	314703-9556	CONTROL PANEL EXTENSION WITH GRAPHICS (SAFIR)			X				
2A	314703-9562	CONTROL PANEL EXTENSION WITH GRAPHICS (FOR 9008N354)						X	
2A	314703-9574	CONTROL PANEL EXTENSION WITH GRAPHICS			X				
4	312901	BOBBIN WINDER ASSEMBLY	X	X	X	X	X	X	X
5	312897	BOBBIN WINDER LEVER SPRING	X	X	X	X	X	X	X
6	312613	BOBBIN WINDER LEVER HINGE SCREW SHOULDER WASHER	X	X	X	X	X	X	X
7	354927-004	BOBBIN WINDER LEVER HINGE SCREW	X	X	X	X	X	X	X
8	354927-001	ARM TOP COVER MOUNTING SCREW	X	X	X	X	X	X	X
10	179967-454	SPOOL PIN THREAD LEAD-OFF			X				
10	179967-456	SPOOL PIN THREAD LEAD-OFF	X		X	X	X	X	X

From the library of: Diamond Needle Corp

COVERS AND ADD ONS
MODEL: 4552 4622 7028 9005 9008 9010

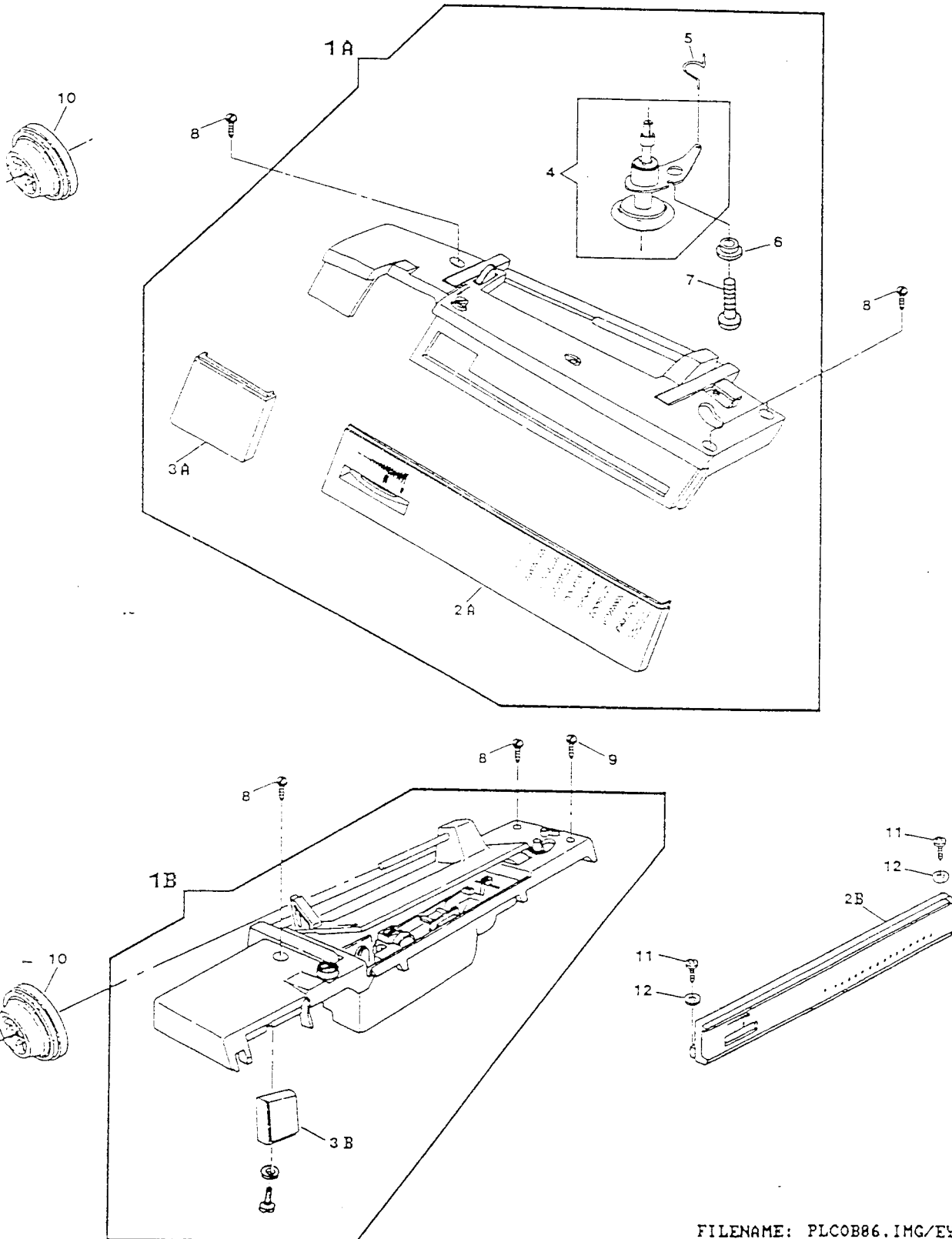
REF. NO.	PART NO.	DESCRIPTION	4	4	7	8	9N	9	9
			5	6	0	0	03	0	0
			5	2	2	0	07	0	1
			2	2	B	5	54	8	0
		FEED SLIDING ASSEMBLY COMPLETE (APOLLO)	X	X	X	X	X	X	X
		FEED SLIDING SPRING (RIGHT)	X	X	X	X	X	X	X
		FEED SLIDING SPRING (LEFT)	X	X	X	X	X	X	X
		FEED SLIDING STOP	X	X	X	X	X	X	X
		FEED SLIDING STOP SPRING	X	X	X	X	X	X	X
		CLOTH PLATE SPRING	X	X	X	X	X	X	X
		THROAT PLATE PLUNGER RETAINING RING	X	X	X	X	X	X	X
		THROAT PLATE PLUNGER WASHER	X	X	X	X	X	X	X
		THROAT PLATE PLUNGER SPRING	X	X	X	X	X	X	X
		THROAT PLATE PLUNGER	X	X	X	X	X	X	X
		FACE PLATE MOUNTING SCREW	X	X	X	X	X	X	X
		FACE PLATE MOUNTING BRACKET	X	X	X	X	X	X	X
		FACE PLATE COMPLETE	X	X	X	X	X	X	X
		FACE PLATE COMPLETE	X	X	X	X	X	X	X
		SHIELD TIME-UP COVER MOUNTING SCREW	X	X	X	X	X	X	X
		SHIELD TIME-UP COVER	X	X	X	X	X	X	X
		THROAT PLATE LOCKING PIN	X	X	X	X	X	X	X
		THROAT PLATE FOR DIG TAG SEWING	X	X	X	X	X	X	X
		CLOTH PLATE	X	X	X	X	X	X	X
		FEED COVER (TUBULAR)	X	X	X	X	X	X	X
		FEED COVER (TUBULAR) SCREW	X	X	X	X	X	X	X
		BOTTOM COVER MOUNTING BOLT	X	X	X	X	X	X	X
		BOTTOM COVER MOUNTING BOLT RETAINING NUT	X	X	X	X	X	X	X
		FEED LEG CUSHION	X	X	X	X	X	X	X
		FEED COVER PLATE (BOTTOM) SCREW	X	X	X	X	X	X	X
		BOTTOM COVER MOUNTING BOLT WASHER	X	X	X	X	X	X	X
		BOTTOM COVER MOUNTING BOLT MOUNTING NUT	X	X	X	X	X	X	X
		FEED COVER (DUAL VOLTAGE) (FOR U.S.A. / KOREA / GERMANY & H.K.)	X	X	X	X	X	X	X
		PATTERN SELECTOR KNOB AND STITCH BALANCE KNOB KIT ASSEMBLY	X						
		PATTERN SELECTOR KNOB AND STITCH BALANCE KNOB KIT ASSEMBLY		X					
		PATTERN SELECTOR KNOB AND STITCH BALANCE KNOB KIT ASSEMBLY (FOR EUROPE)			X			X	X
		PATTERN SELECTOR KNOB AND STITCH BALANCE KNOB KIT ASSEMBLY	X						
		PATTERN SELECTOR KNOB AND STITCH BALANCE KNOB KIT ASSEMBLY					X		
		RING, PATTERN SELECTOR KNOB	X	X	X	X	X	X	X
		PATTERN SELECTOR KNOB COMPRESSION RING	X	X	X	X	X	X	X
		PATTERN SELECTOR KNOB COVER	X	X	X	X	X	X	X
		PATTERN SELECTOR KNOB COVER	X	X	X	X	X	X	X
		PATTERN SELECTOR KNOB TRIM PLATE	X	X	X	X	X	X	X
		PATTERN SELECTOR KNOB TRIM PLATE	X	X	X	X	X	X	X
		PATTERN SELECTOR KNOB TRIM PLATE	X	X	X	X	X	X	X
		PATTERN SELECTOR KNOB TRIM PLATE	X	X	X	X	X	X	X
		PATTERN SELECTOR KNOB TRIM PLATE	X	X	X	X	X	X	X
		PATTERN SELECTOR KNOB TRIM PLATE	X	X	X	X	X	X	X
		PATTERN SELECTOR KNOB TRIM PLATE	X	X	X	X	X	X	X
		PATTERN SELECTOR KNOB TRIM PLATE (SAFIR)	X	X	X	X	X	X	X
		STITCH LENGTH CONTROL PANEL WITH GRAPHICS (FOR EUROPE)	X	X	X	X	X	X	X
		STITCH LENGTH CONTROL PANEL WITH GRAPHICS (FOR U.S.A.)	X	X	X	X	X	X	X
		STITCH LENGTH CONTROL PANEL WITH GRAPHICS	X	X	X	X	X	X	X
		STITCH LENGTH CONTROL PANEL WITH GRAPHICS (TAPOZ)	X	X	X	X	X	X	X
		STITCH LENGTH CONTROL PANEL WITH GRAPHICS (LASER)	X	X	X	X	X	X	X
		STITCH LENGTH CONTROL PANEL WITH GRAPHICS (SAFIR)	X	X	X	X	X	X	X
		STITCH LENGTH CONTROL PANEL WITH GRAPHICS	X	X	X	X	X	X	X
		REVERSE FEED CONTROL LEVER KNOB	X	X	X	X	X	X	X
		REVERSE FEED CONTROL LEVER KNOB (PLASTIC)	X	X	X	X	X	X	X
		REVERSE FEED CONTROL LEVER KNOB (PLASTIC)	X	X	X	X	X	X	X
		REVERSE FEED CONTROL LEVER KNOB (PLASTIC)	X	X	X	X	X	X	X
		BIGHT AMPLITUDE CONTROL LEVER KNOB	X	X	X	X	X	X	X
		BIGHT AMPLITUDE CONTROL LEVER KNOB (PLASTIC)	X	X	X	X	X	X	X
		BIGHT AMPLITUDE CONTROL LEVER KNOB (PLASTIC)	X	X	X	X	X	X	X
		BIGHT AMPLITUDE CONTROL LEVER KNOB (PLASTIC)	X	X	X	X	X	X	X
		BIGHT AMPLITUDE CONTROL LEVER KNOB (PLASTIC) (FOR EUROPE)	X	X	X	X	X	X	X
		STITCH LENGTH CONTROL LEVER KNOB AND TENSION REGULATING KNOB	X	X	X	X	X	X	X
		STITCH LENGTH CONTROL LEVER KNOB (PLASTIC)	X	X	X	X	X	X	X
		STITCH LENGTH CONTROL LEVER KNOB (PLASTIC)	X	X	X	X	X	X	X
		STITCH LENGTH CONTROL LEVER KNOB (PLASTIC)	X	X	X	X	X	X	X
		STITCH LENGTH CONTROL LEVER KNOB (PLASTIC)	X	X	X	X	X	X	X
		MACHINE HOLD DOWN MOUNTING KIT	X	X	X	X	X	X	X
		MACHINE LOCATOR PIN	X	X	X	X	X	X	X

From the library of: Diamond Needle Corp

ARM TOP COVER
MODEL: 4552 4622 7028 9005 9008 9010

REF. PART NO.	PART NO.	DESCRIPTION	4	4	7	9	9N	9	9
			5	6	0	0	03	0	0
			5	2	2	0	07	0	1
			2	2	8	5	54	8	0
1A	317027-014	ARM TOP COVER COMPLETE WITH HANDLE	X						
1A	317027-018	ARM TOP COVER COMPLETE WITH HANDLE (FOR 4552N353)	X	X					
1A	317027-019	ARM TOP COVER COMPLETE WITH HANDLE	X						
1A	317122-030	ARM TOP COVER COMPLETE WITH HANDLE (FOR U.S.A.)				X			
1A	317122-031	ARM TOP COVER COMPLETE WITH HANDLE (FOR U.S.A.)						X	
1A	317122-032	ARM TOP COVER COMPLETE WITH HANDLE (FOR U.S.A.)							X
1A	317122-054	ARM TOP COVER COMPLETE WITH HANDLE (FOR U.S.A.)			X				
1A	317122-070	ARM TOP COVER COMPLETE WITH HANDLE (TAPOZ)			X				
1A	317122-071	ARM TOP COVER COMPLETE WITH HANDLE (TEMPO 50)				X			
1A	317122-072	ARM TOP COVER COMPLETE WITH HANDLE (TEMPO 60) (FOR 9008N304)						X	
1A	317122-073	ARM TOP COVER COMPLETE WITH HANDLE (TEMPO 70)							X
1A	317122-075	ARM TOP COVER COMPLETE WITH HANDLE (LASER)					X		
1A	317122-078	ARM TOP COVER ASS'Y WITH HANDLE (SAFIR)			X				
1A	317122-086	ARM TOP COVER COMPLETE WITH HANDLE (FOR 9008N354)						X	
2A	314640-918	CONTROL PANEL WITH GRAPHICS				X			
2A	314640-919	CONTROL PANEL WITH GRAPHICS						X	
2A	314640-920	CONTROL PANEL WITH GRAPHICS							X
2A	314640-923	CONTROL PANEL WITH GRAPHICS (FOR U.S.A.)			X				
2A	314640-802	CONTROL PANEL WITH GRAPHICS (TAPOZ)			X				
2A	314640-953	CONTROL PANEL WITH GRAPHICS					X		
2A	314640-955	CONTROL PANEL WITH GRAPHICS (SAFIR)				X			
2A	317197-902	CONTROL PANEL WITH GRAPHICS	X						
2A	317197-905	CONTROL PANEL WITH GRAPHICS (FOR 4552N353)	X						
2A	317197-906	CONTROL PANEL WITH GRAPHICS			X				
2A	314703-916	CONTROL PANEL EXTENSION WITH GRAPHICS (FOR U.S.A.)			X				
2A	314703-919	CONTROL PANEL EXTENSION WITH GRAPHICS (FOR U.S.A.)				X		X	X
2A	314703-807	CONTROL PANEL EXTENSION WITH GRAPHICS (TAPOZ)			X				
2A	314703-808	CONTROL PANEL EXTENSION WITH GRAPHICS (TEMPO 50)				X			
2A	314703-809	CONTROL PANEL EXTENSION WITH GRAPHICS (TEMPO 60) (FOR 9008N304)						X	
2A	314703-810	CONTROL PANEL EXTENSION WITH GRAPHICS (TEMPO 70)							X
2A	314703-951	CONTROL PANEL EXTENSION WITH GRAPHICS (TAPOZ)	X						
2A	314703-953	CONTROL PANEL EXTENSION WITH GRAPHICS (LASER)					X		
2A	314703-956	CONTROL PANEL EXTENSION WITH GRAPHICS (SAFIR)			X				
2A	314703-962	CONTROL PANEL EXTENSION WITH GRAPHICS (FOR 9008N354)						X	
2A	314703-974	CONTROL PANEL EXTENSION WITH GRAPHICS			X				
4	312901	BOBBIN WINDER ASSEMBLY	X	X	X	X	X	X	X
5	312897	BOBBIN WINDER LEVER SPRING	X	X	X	X	X	X	X
6	312615	BOBBIN WINDER LEVER HINGE SCREW SHOULDER WASHER	X	X	X	X	X	X	X
7	354927-004	BOBBIN WINDER LEVER HINGE SCREW	X	X	X	X	X	X	X
8	354927-001	ARM TOP COVER MOUNTING SCREW	X	X	X	X	X	X	X
10	179967-454	SPOOL PIN THREAD LEAD-OFF	X						
10	179967-456	SPOOL PIN THREAD LEAD-OFF	X	X	X	X	X	X	X

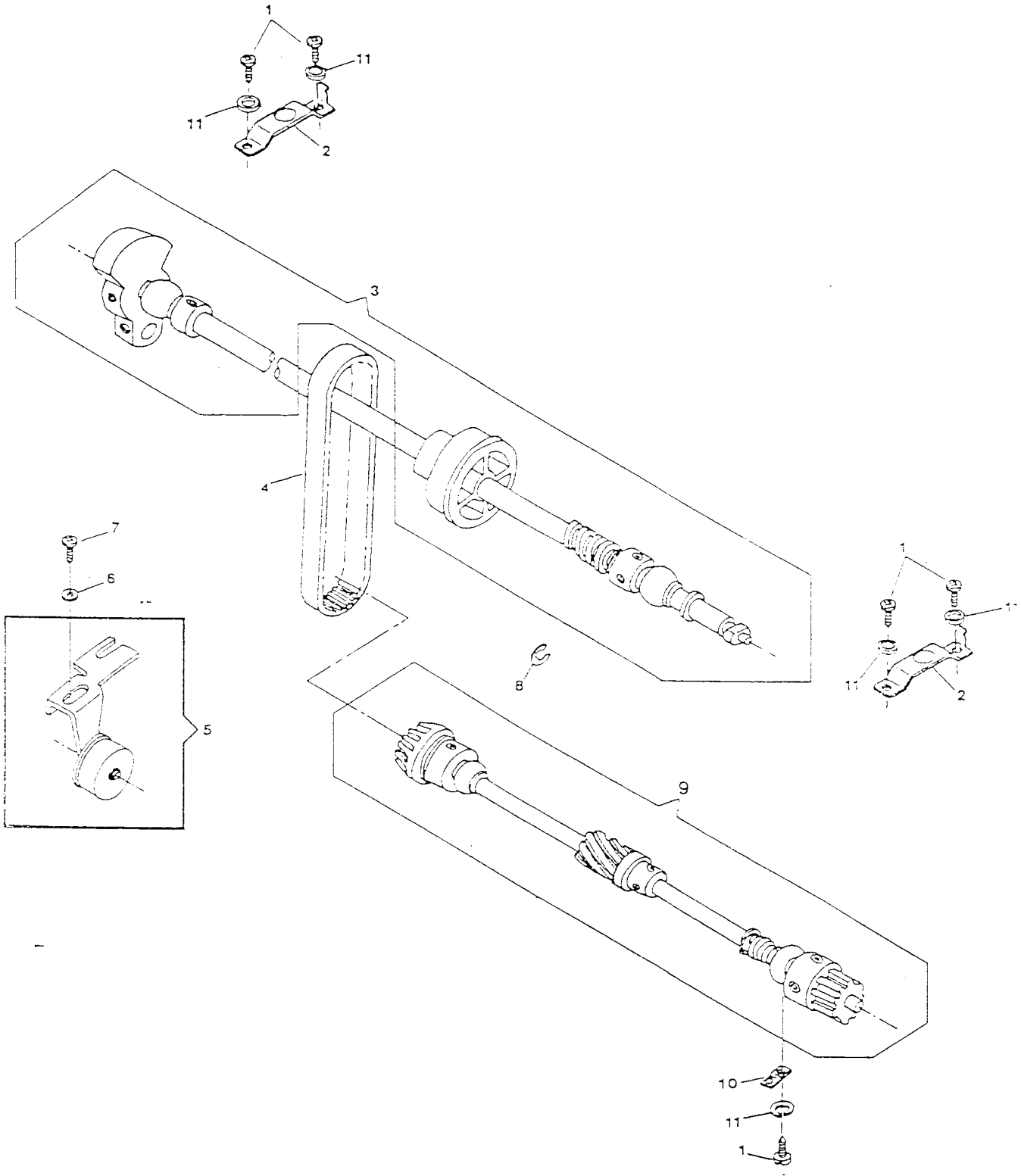
From the library of: Diamond Needle Corp



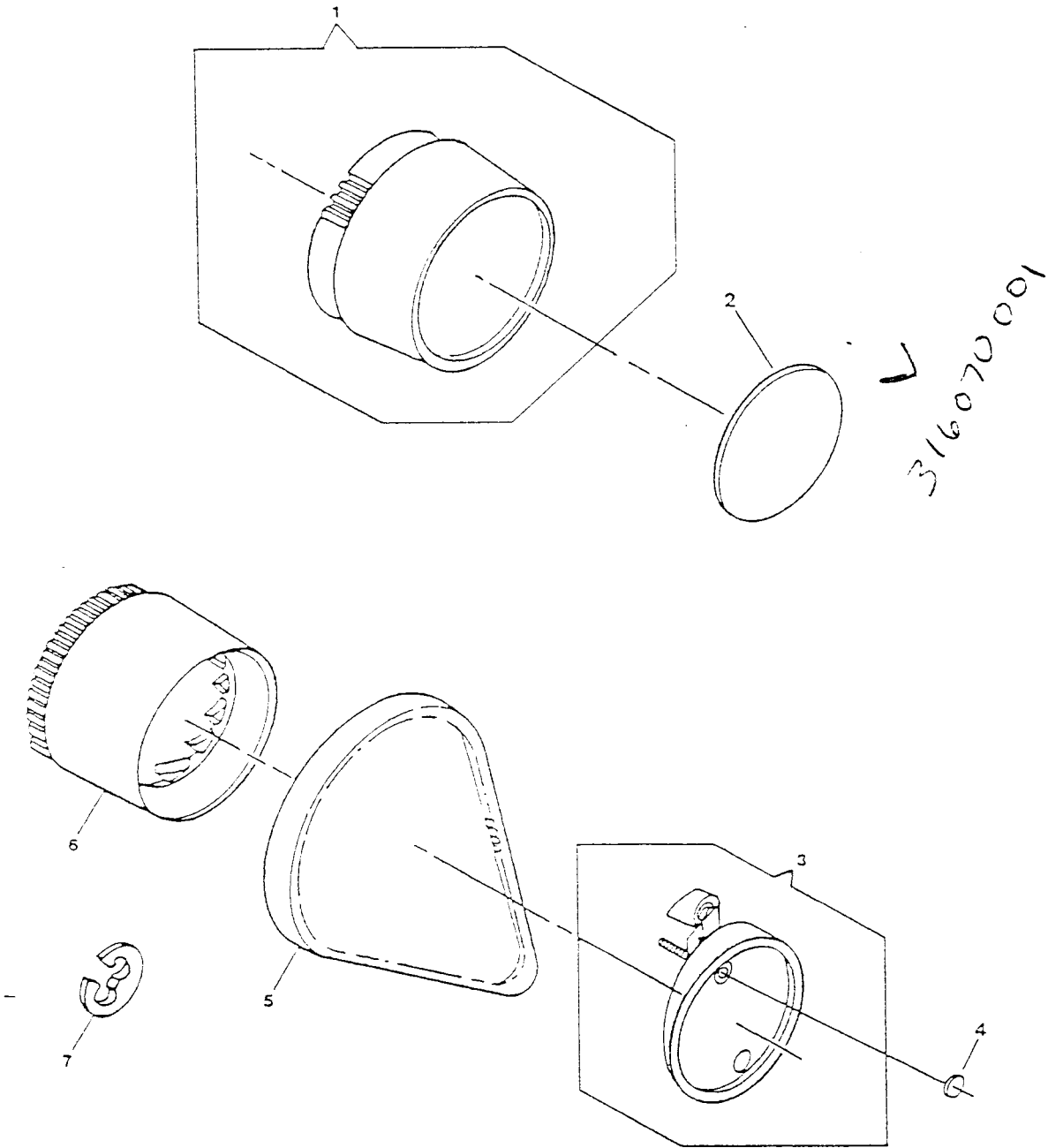
FILENAME: PLCOB86.IMG/EYE

ARM SHAFT DRIVE SYSTEM
 MODEL:4552,4622,7028,9005,9008,9010

REF. PART NO.	PART NO.	DESCRIPTION	4	4	7	9	9N	9	9
			5	6	0	0	03	0	C
			5	2	2	0	07	0	1
			2	2	8	5	54	8	C
1	113455-001	ARM SHAFT (HORIZONTAL) BUSHING (LEFT & RIGHT) CLAMP SCREW	X	X	X	X	X	X	X
2	312796	ARM SHAFT (HORIZONTAL) BUSHING (LEFT & RIGHT) CLAMP ASSEMBLY	X	X	X	X	X	X	X
3	313111-002	ARM SHAFT ASSEMBLY (APOLLO)	X	X	X	X	X	X	X
4	603975-011	BELT (ROTATING HOOK DRIVE) ALT:603975-012	X	X	X	X	X	X	X
5	313195	IDLER BRACKET ASSEMBLY	X	X	X	X	X	X	X
6	314041-451	ROTATING HOOK DRIVING BELT TENSION ADJUSTER SCREW WASHER	X	X	X	X	X	X	X
7	113455-002	ROTATING HOOK DRIVING BELT TENSION ADJUSTER SCREW	X	X	X	X	X	X	X
8	313153	HAND WHEEL RETAINING RING	X	X	X	X	X	X	X
9	314010	ROTATING HOOK DRIVE SHAFT SUB-ASSEMBLY	X	X	X	X	X	X	X
10	313816	ROTATING HOOK DRIVE SHAFT BUSHING (SELF-ALIGNING) CLAMP	X	X	X	X	X	X	X
11	314013-451	ROTATING HOOK DRIVE SHAFT BUSHING (SELF-ALIGNING) CLAMP SCREW AND ARM SHAFT BUSHING CLAMP SCREW LOCK WASHER	X	X	X	X	X	X	X



From the library of: Diamond Needle Corp



FILENAME: PLCOB11.IMG/EYE

HAND WHEEL
 MODEL:4552,4622,7028,9005,9008,9010

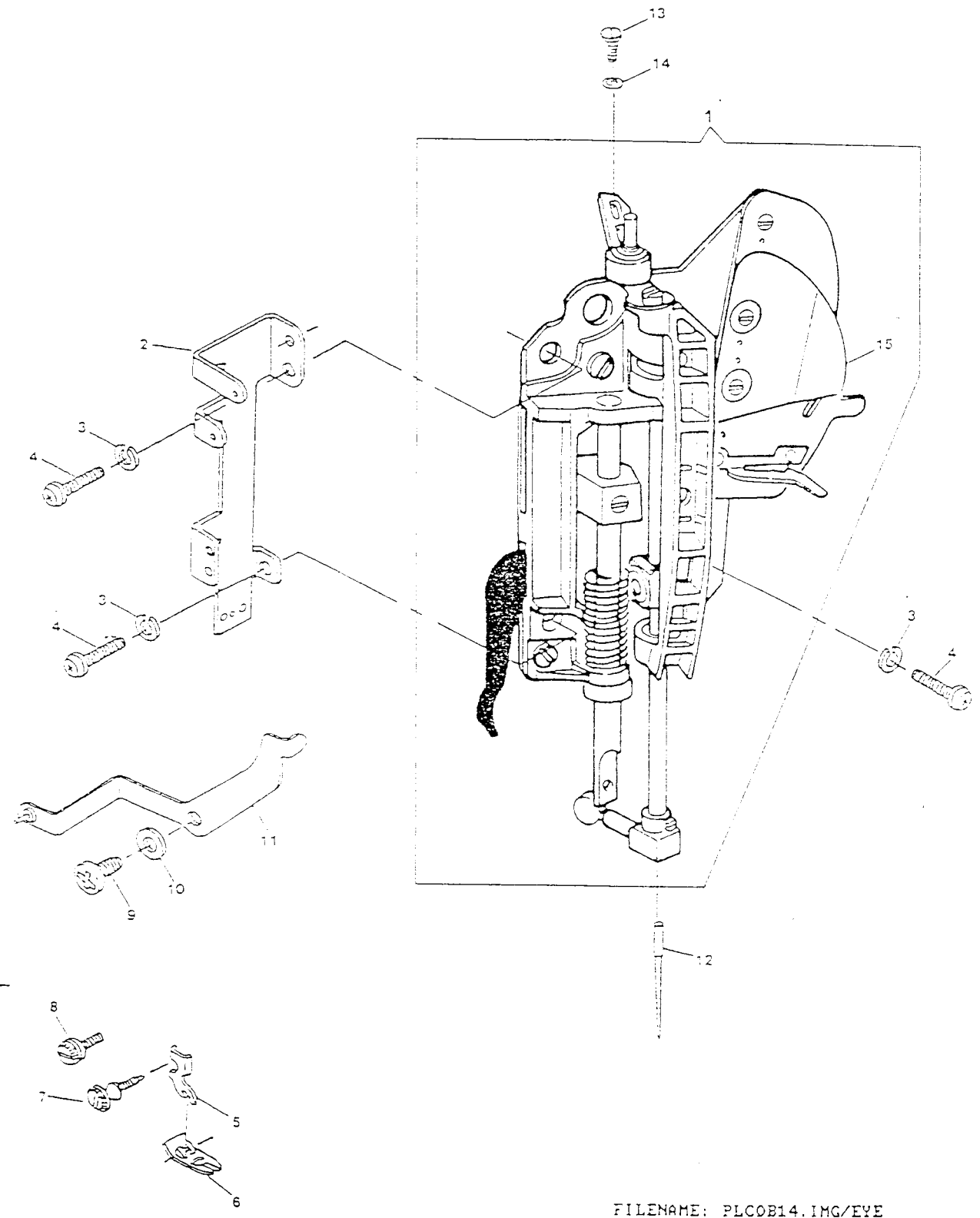
REF. PART NO.	PART NO.	DESCRIPTION	4	4	7	9	9N	9	9
			5	6	0	0	03	0	0
			5	2	2	0	07	0	1
			2	2	8	5	54	8	0
3	313185-453	HAND WHEEL CLUTCH PLATE ASSEMBLY	X	X	X	X	X	X	X
3	313185-454	HAND WHEEL CLUTCH PLATE ASSEMBLY		X					
4	314733-920	HAND WHEEL ACCESS PLATE (APOLLO)-	X	X	X	X	X	X	X
4	314733-950	HAND WHEEL ACCESS PLATE		X					
5	312628-001	BELT (MOTOR DRIVE) ALT:979285-001	X	X	X	X	X	X	X
6	312625-453	HAND WHEEL	X	X	X	X	X	X	X
6	312625-454	HAND WHEEL		X					
7	313153	HAND WHEEL RETAINING RING	X	X	X	X	X	X	X

From the library of: Diamond Needle Corp

COAXIAL PRESSER BAR SYSTEM FOR NEW HEAD END
 MODEL: 4552,4622,7028,9005,9008,9010

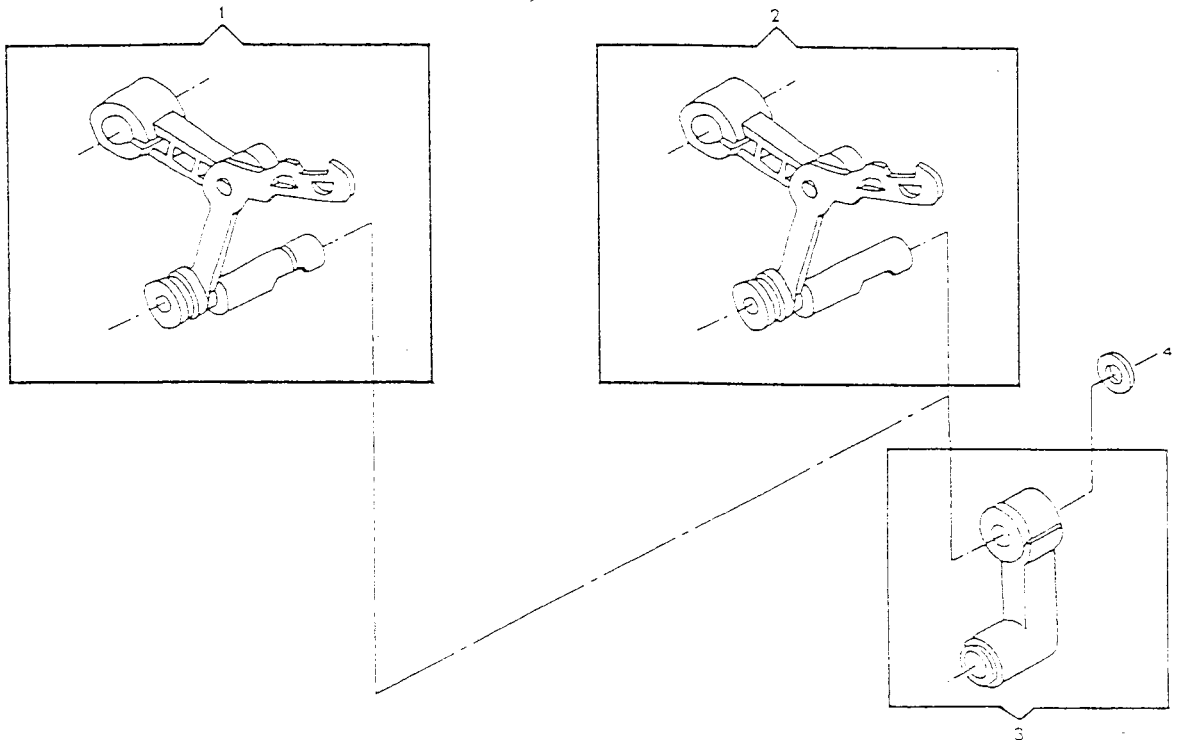
REF PART NO.	DESCRIPTION	4	4	7	9	9N	9	9
NO.		5	6	0	0	03	0	0
		5	2	2	0	07	0	1
		2	2	8	5	54	8	C
1	314695-001 HEAD END MODULE (APOLLO)	X	X	X	X	X	X	X
2	314591 FACE PLATE MOUNTING BRACKET	X	X	X	X	X	X	X
3	313955-451 HEAD END MOUNTING PLATE LOCK WASHER	X	X	X	X	X	X	X
4	113455-012 HEAD END MOUNTING PLATE SCREW	X	X	X	X	X	X	X
5	163706-451 PRESSER FOOT SHANK (SNAP-ON)	X	X	X	X	X	X	X
6	313150 PRESSER FOOT PLATE (SNAP-ON) FOR ZIG-ZAG SEWING	X	X	X	X	X	X	X
7	113531-451 PRESSER FOOT THUMB SCREW	X	X	X	X	X	X	X
9	113455-001 NEEDLE THREAD TENSION RELEASE LEVER HINGE SCREW	X	X	X	X	X	X	X
10	314041-451 NEEDLE THREAD TENSION RELEASE LEVER RETAINING WASHER	X	X	X	X	X	X	X
11	317401 NEEDLE THREAD TENSION RELEASE LEVER ASSEMBLY	X	X	X	X	X	X	X
12	N2045 NEEDLE (SIDE NO.14)	X	X	X	X	X	X	X
13	113408-001 NEEDLE BAR DRIVING ARM BALL JOINT SCREW	X	X	X	X	X	X	X
14	931929-004 NEEDLE BAR DRIVING ARM BALL JOINT SCREW WASHER	X	X	X	X	X	X	X
15	314690 THREAD PINCH PLATE	X	X	X	X	X	X	X

-Hw. Linda



From the library of: Diamond Needle Corp

FILENAME: PLCOB14.IMG/EYE



From the library of: Diamond Needle Corp

NEEDLE BAR & THREAD TAKE-UP FOR NEW HEAD END
 MODEL:4552,4622,7028,9005,9008,9010

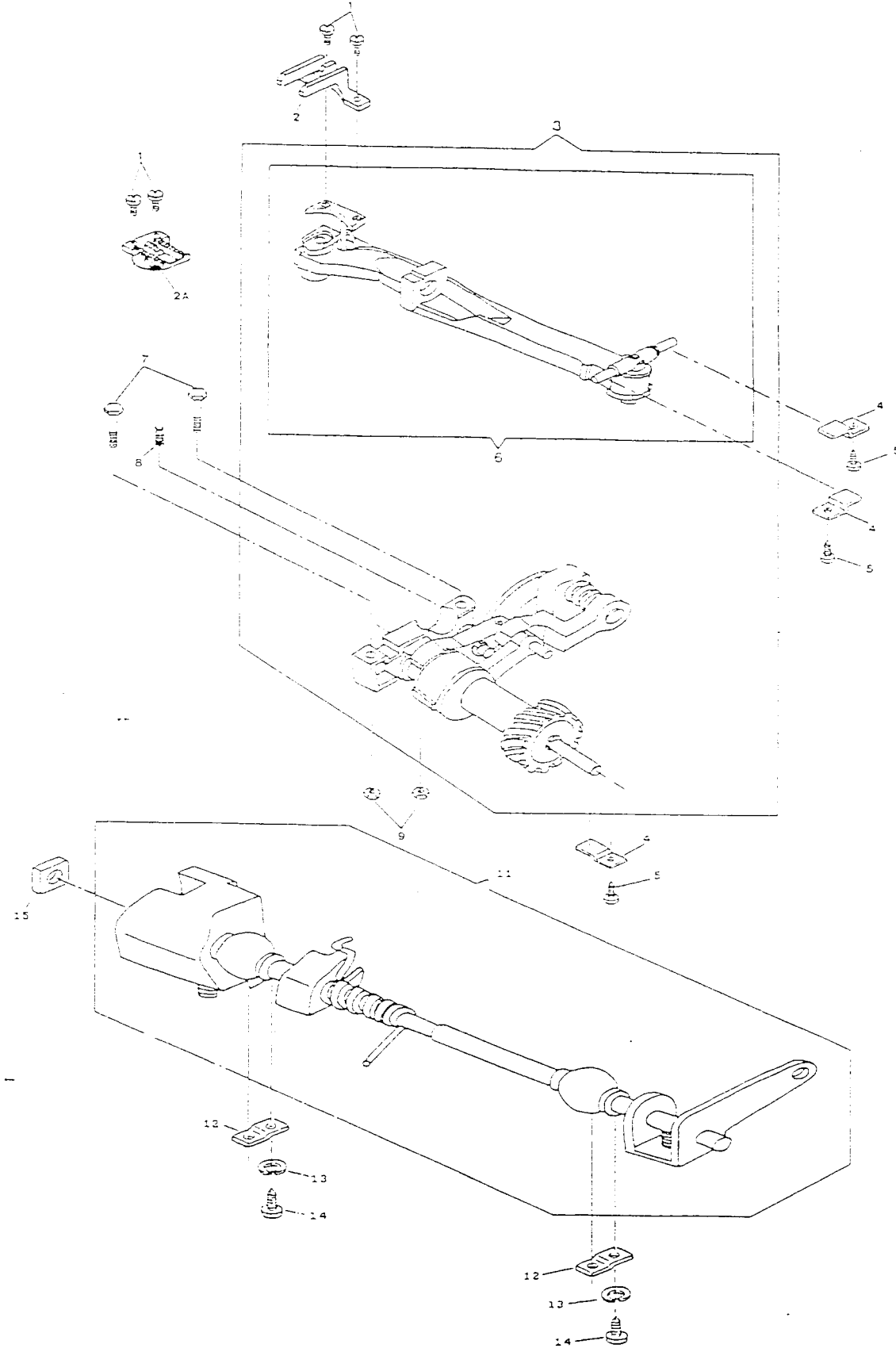
REF. PART NO.	PART NO.	DESCRIPTION	4	4	7	9	9N	9	9
			5	6	0	0	03	0	C
			5	2	2	0	07	0	1
			2	2	8	5	54	8	C
1	314694	THREAD TAKE-UP COMPLETE (APOLLO)	X	X	X	X	X	X	X
3	137528-901	NEEDLE BAR CONNECTING LINK	X	X	X	X	X	X	X
4	314071	WASHER, THREAD TAKE-UP LEVER	X	X	X	X	X	X	X

ALPHA FEED
 MODEL:4552,4622,7028,9005,9008,9010

4 4 7 9 9N 9 9
 5 6 0 0 03 0 0
 5 2 2 0 07 0 1
 2 2 8 5 54 8 0

REF. PART NO.	PART NO.	DESCRIPTION							
1	544211-002	FEED DOG SCREW	X	X	X	X	X	X	X
2A	312679	FEED DOG (APOLLO) ALT:313171	X	X	X	X	X	X	X
3	314140-002	ALPHA FEED MODULE ALT:313011	X	X	X	X	X	X	X
4	312851	FEED BAR PIVOT HINGE STUD CLAMP	X	X	X	X	X	X	X
5	113455-003	CLAMP SCREW	X	X	X	X	X	X	X
6	314141	FEED BAR ASSEMBLY	X	X	X	X	X	X	X
7	354921-451	FEED & ROTATING HOOK DRIVE SHAFT BEARING BLOCK SCREW	X	X	X	X	X	X	X
8	314070	ROTATING HOOK DRIVE SHAFT BUSHING SPRING	X	X	X	X	X	X	X
9	514674-451	FEED & ROTATING HOOK DRIVE SHAFT BEARING BLOCK MOUNTING SCREW NUT	X	X	X	X	X	X	X
11	313133	FEED REGULATOR SHAFT ASSEMBLY	X	X	X	X	X	X	X
12	313816	FEED REGULATOR SHAFT BUSHING (SELF-ALIGNING) CLAMP	X	X	X	X	X	X	X
13	314013-451	FEED REGULATOR SHAFT BUSHING (SELF-ALIGNING) CLAMP SCREW LOCK WASHER	X	X	X	X	X	X	X
14	113455-001	FEED REGULATOR SHAFT BUSHING (SELF-ALIGNING) CLAMP SCREW	X	X	X	X	X	X	X
15	511030	FEED REGULATOR SLIDE BLOCK	X	X	X	X	X	X	X

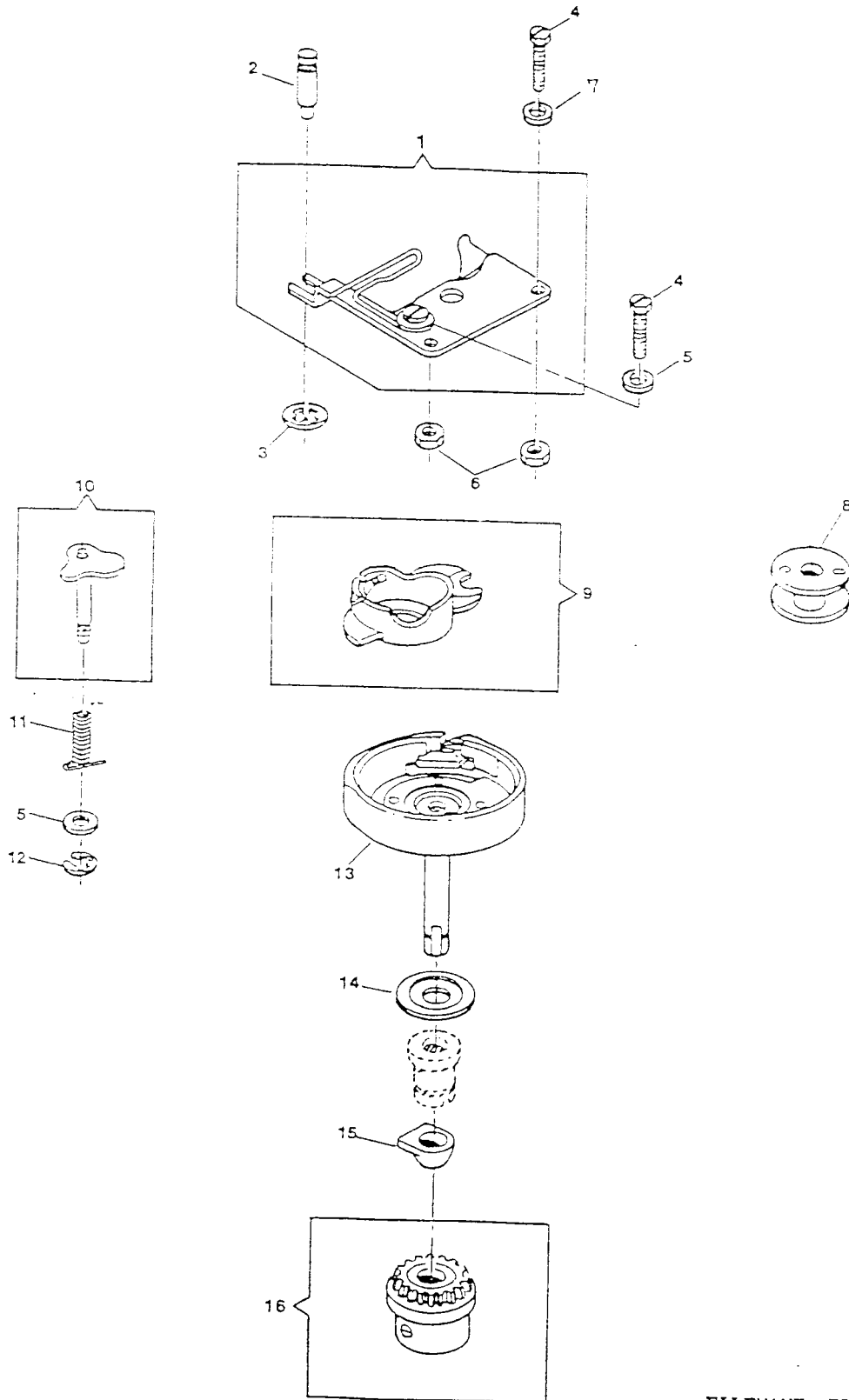
11/17/91 11:11 AM



From the library of: Diamond Needle Corp

HOOK SYSTEM (APOLLO)
 MODEL: 4552,4622,7028,9005,9008,9010

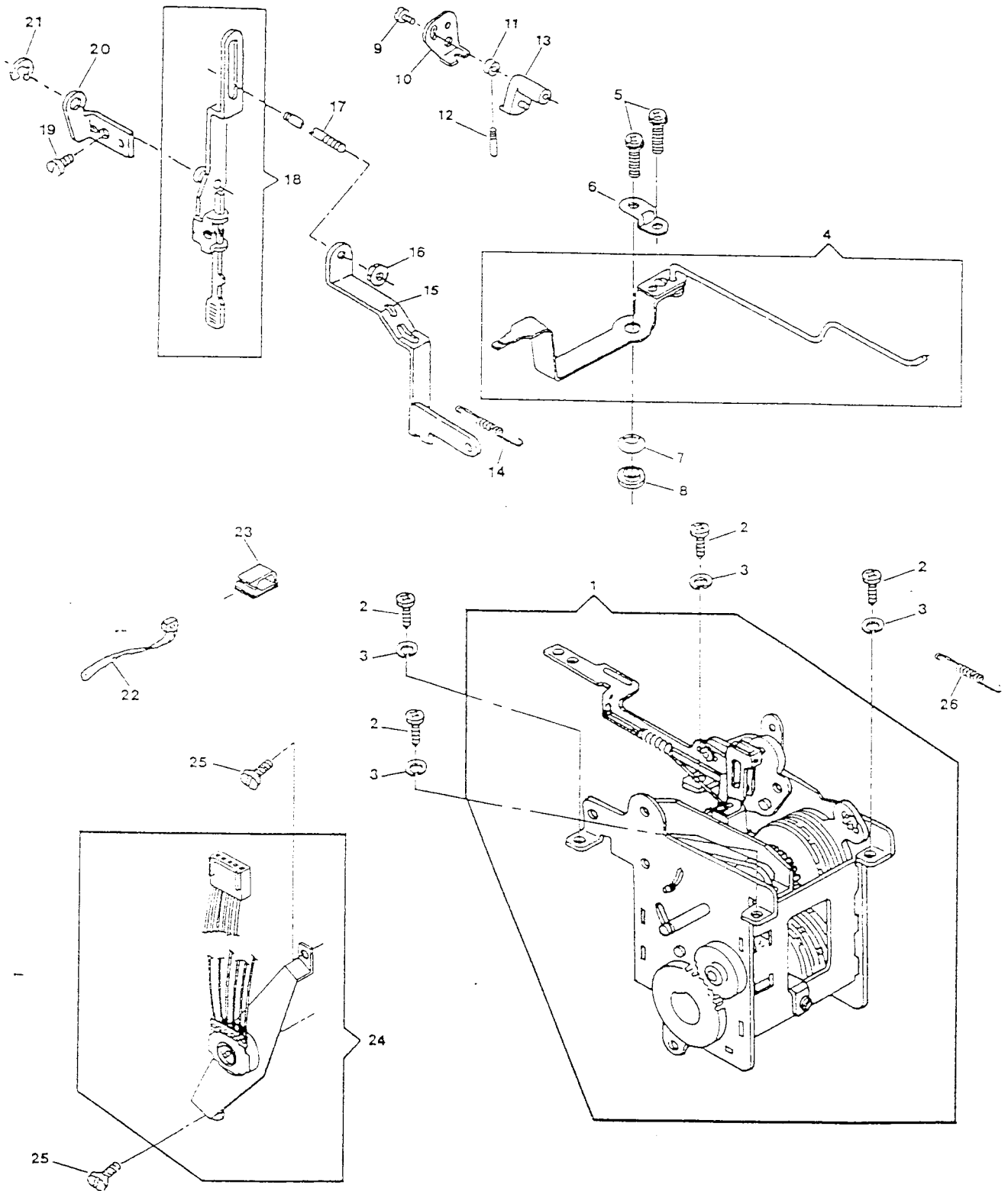
REF PART NO.	DESCRIPTION	4	4	7	9	9N	9	9
NO.		5	6	0	0	03	0	0
		5	2	2	0	07	0	1
		2	2	8	5	54	8	0
1	313089 ROTATING HOOK BOBBIN CASE POSITION PLATE ASSEMBLY	X	X	X	X	X	X	X
2	312603 ROTATING HOOK BOBBIN CASE POSITION PLATE HOLD DOWN STUD	X	X	X	X	X	X	X
3	313161 ROTATING HOOK BOBBIN CASE POSITION PLATE HOLD DOWN STUD RETAINER	X	X	X	X	X	X	X
4	113439-451 ROTATING HOOK BOBBIN CASE POSITION PLATE SCREW	X	X	X	X	X	X	X
5	313190-451 ROTATING HOOK BOBBIN CASE POSITION PLATE SCREW WASHER	X	X	X	X	X	X	X
6	313945-451 ROTATING HOOK BOBBIN CASE POSITION PLATE SCREW NUT	X	X	X	X	X	X	X
8	172336-001 ROTATING HOOK BOBBIN (PLASTIC)	X	X	X	X	X	X	X
9	421325 ROTATING HOOK BOBBIN CASE COMPLETE	X	X	X	X	X	X	X
10	312846 ROTATING HOOK BOBBIN CASE RETAINING PLATE SUB-ASSEMBLY	X	X	X	X	X	X	X
11	312607 ROTATING HOOK BOBBIN CASE RETAINING PLATE STUD SPRING	X	X	X	X	X	X	X
12	313783 ROTATING HOOK BOBBIN CASE RETAINING PLATE STUD RETAINING RING	X	X	X	X	X	X	X
13	447926-932 ROTATING HOOK COMPLETE	X	X	X	X	X	X	X
14	314049 ROTATING HOOK FLANGED BUSHING THRUST WASHER	X	X	X	X	X	X	X
15	312847 ROTATING HOOK FLANGED BUSHING WASHER	X	X	X	X	X	X	X
16	314012 ROTATING HOOK BEVEL GEAR COMPLETE	X	X	X	X	X	X	X
16	314101-900 ROTATING HOOK BEVEL GEAR COMPLETE (ALT:314012)	X	X	X	X	X	X	X
7	446138 ROTATING HOOK BOBBIN CASE POSITION PLATE SCREW WASHER (RIGHT)	X	X	X	X	X	X	X



PATTERN, STITCH LENGTH CONTROL & CAM CONTROLLER FEED (CONT.)
 MODEL:4552,4622,7028,9005,9008,9010

REF. PART NO.	PART NO.	DESCRIPTION	4	4	7	9	9N	9	9
			5	6	0	0	03	0	0
			5	2	2	0	07	0	1
			2	2	8	5	54	8	0
1	314601-001	PATTERN SELECTOR MODULE							X
1	314601-007	PATTERN SELECTOR MODULE					X	X	-
1	314601-012	PATTERN SELECTOR MODULE							X
1	317407-001	PATTERN SELECTOR MODULE					X		
2	113455-001	DISC SELECTOR MECHANISM MOUNTING PLATE SCREW (LEFT AND RIGHT)	X	X	X	X	X	X	X
3	314013-451	DISC SELECTOR MECHANISM MOUNTING PLATE SCREW (LEFT AND RIGHT) LOCK	X	X	X	X	X	X	X
4	314607-003	BIGHT AMPLITUDE CONTROL LEVER ASSEMBLY	X	X	X	X	X	X	X
5	113455-014	BIGHT AMPLITUDE CONTROL LEVER STOP ADJUSTMENT SCREW	X	X	X	X	X	X	X
6	314683	BIGHT AMPLITUDE CONTROL LEVER RETAINER	X	X	X	X	X	X	X
7	383457	BIGHT AMPLITUDE CONTROL LEVER FRICTION WASHER	X	X	X	X	X	X	X
8	314611	BIGHT AMPLITUDE CONTROL LEVER SHOULDER WASHER	X	X	X	X	X	X	X
26	314497	NEEDLE BAR DRIVING ARM SLIDE POSITIONING SPRING	X	X	X	X	X	X	X

From the library of: Diamond Needle Corp

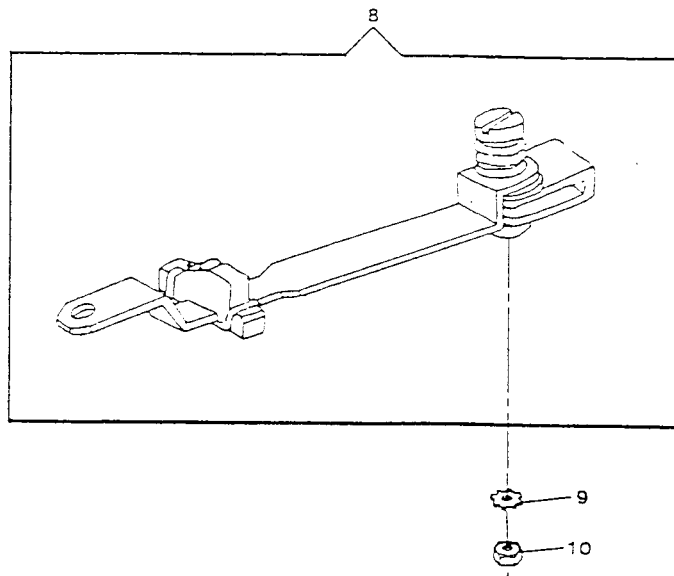
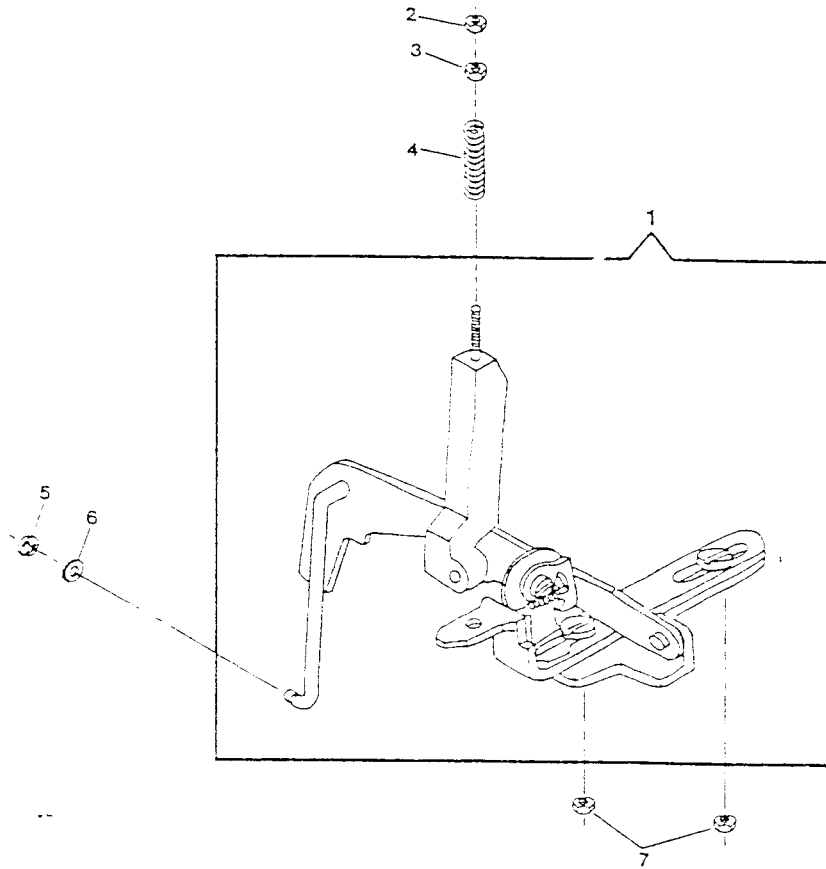


FILENAME: PLC0B24.IMG/EYE

PATTERN, STITCH LENGTH CONTROL & CAM CONTROLLER FEED (CONT.)
 MODEL:4552,4622,7028,9005,9008,9010

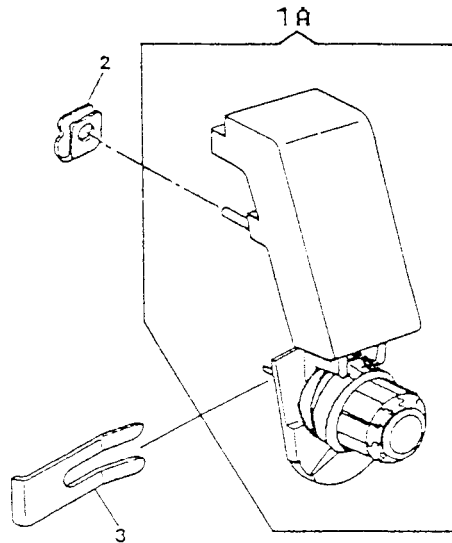
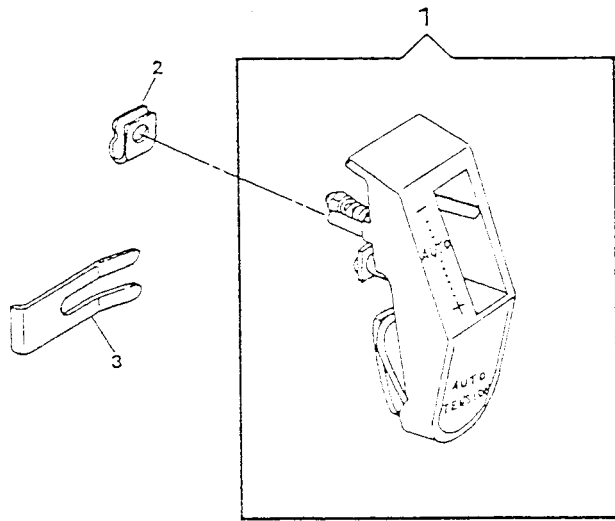
REF. PART NO.	PART NO.	DESCRIPTION	4	4	7	9	9N	9	9
			5	6	0	0	03	0	0
			5	2	2	0	07	0	1
			2	2	8	5	54	9	0
1	314300-001	FEED REVERSE MECHANISM	X	X	X	X	X	X	X
2	514674-451	CAM CONTROLLED FEED CONNECTING ROD LOCKING NUT	X	X	X	X	X	X	X
3	312645-451	CAM CONTROLLED FEED DISC FOLLOWER ACTUATOR CONNECTING ROD ADJUSTING	X	X	X	X	X	X	X
4	313143	CAM CONTROLLED FEED DISC FOLLOWER ACTUATOR CONNECTING ROD SPRING	X	X	X	X	X	X	X
5	312702	FEED LEVER CONNECTING LINK RETAINING RING	X	X	X	X	X	X	X
6	313891	CAM CONTROLLED FEED CONNECTING ROD STABILIZING WASHER	X	X	X	X	X	X	X
7	514674-451	REVERSE FEED CONTROL LEVER GUIDE SCREW NUT	X	X	X	X	X	X	X
8	313569-001	STITCH LENGTH CONTROL LEVER ASSEMBLY	X	X	X	X	X	X	X
9	313172-451	STITCH LENGTH CONTROL LEVER PIVOT LOCK WASHER	X	X	X	X	X	X	X
10	313177-451	STITCH LENGTH CONTROL LEVER NUT	X	X	X	X	X	X	X

PATTERN STITCH LENGTH CONTROL AND CAM CONTROLLED FEED (CONT.)



FILENAME: PLCOB28.IMG/EYE

REV. DATE: 9/12/91 PAGE: 29
DEMAND RESPONSIVE NEEDLE TENSION SYSTEM



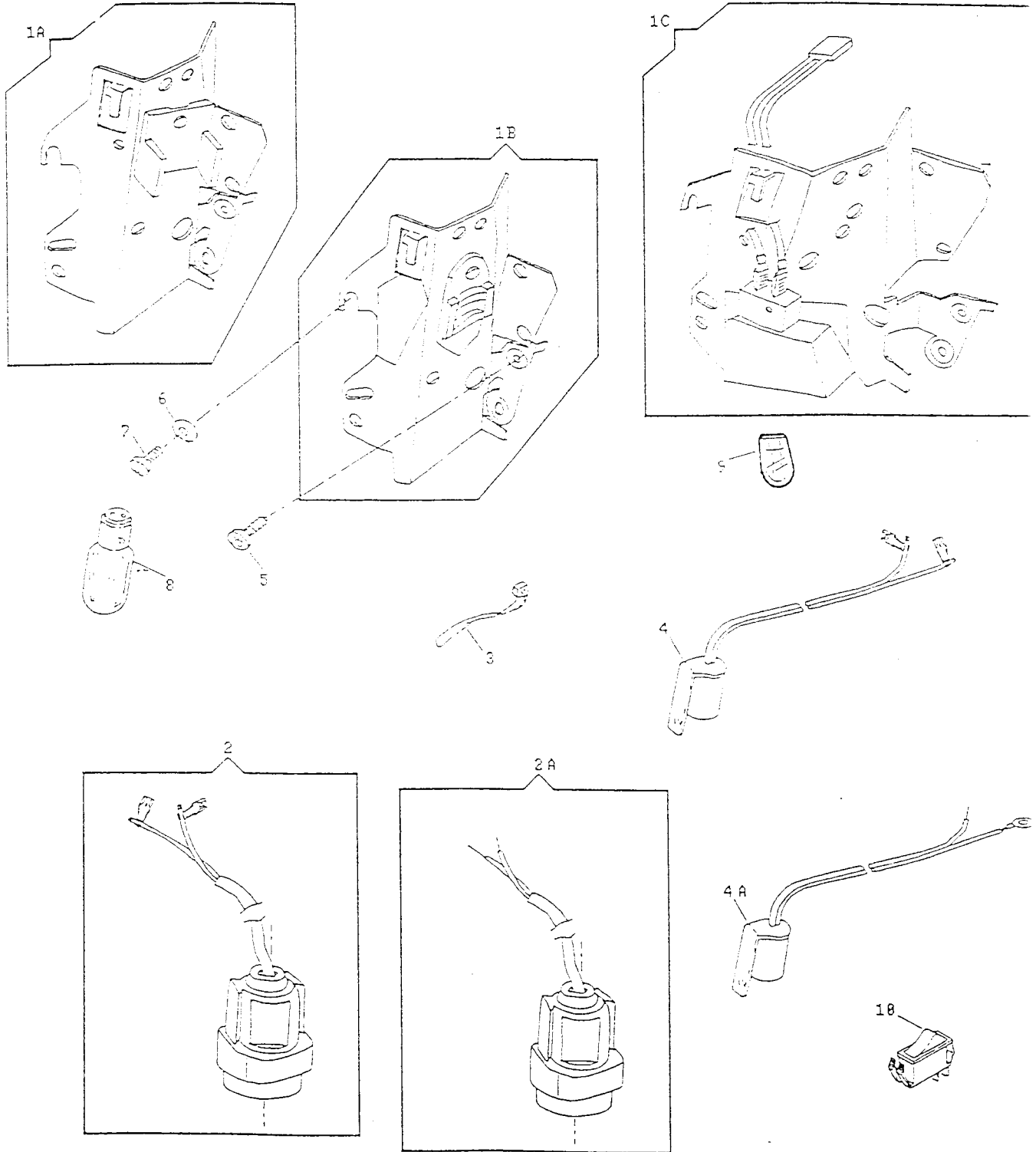
DEMAND RESPONSIVE NEEDLE TENSION SYSTEM
 MODEL: 4552 4622 7028 9005 9008 9010

REF. PART NO.	PART NO.	DESCRIPTION	4	4	7	9	9N	9	9
			5	6	0	0	03	0	0
			5	2	2	0	07	0	1
			2	2	8	5	54	8	0
1A	317383-900	THREAD TENSION MODULE	X	X	X	X		X	X
1A	317383-950	THREAD TENSION MODULE	X	X	X	X		X	X
1A	317383-951	THREAD TENSION MODULE						X	
2	313199	TENSION COVER MOUNTING RETAINER	X	X	X	X	X	X	X
3	313047	TENSION COVER RETAINING CLIP	X	X	X	X	X	X	X

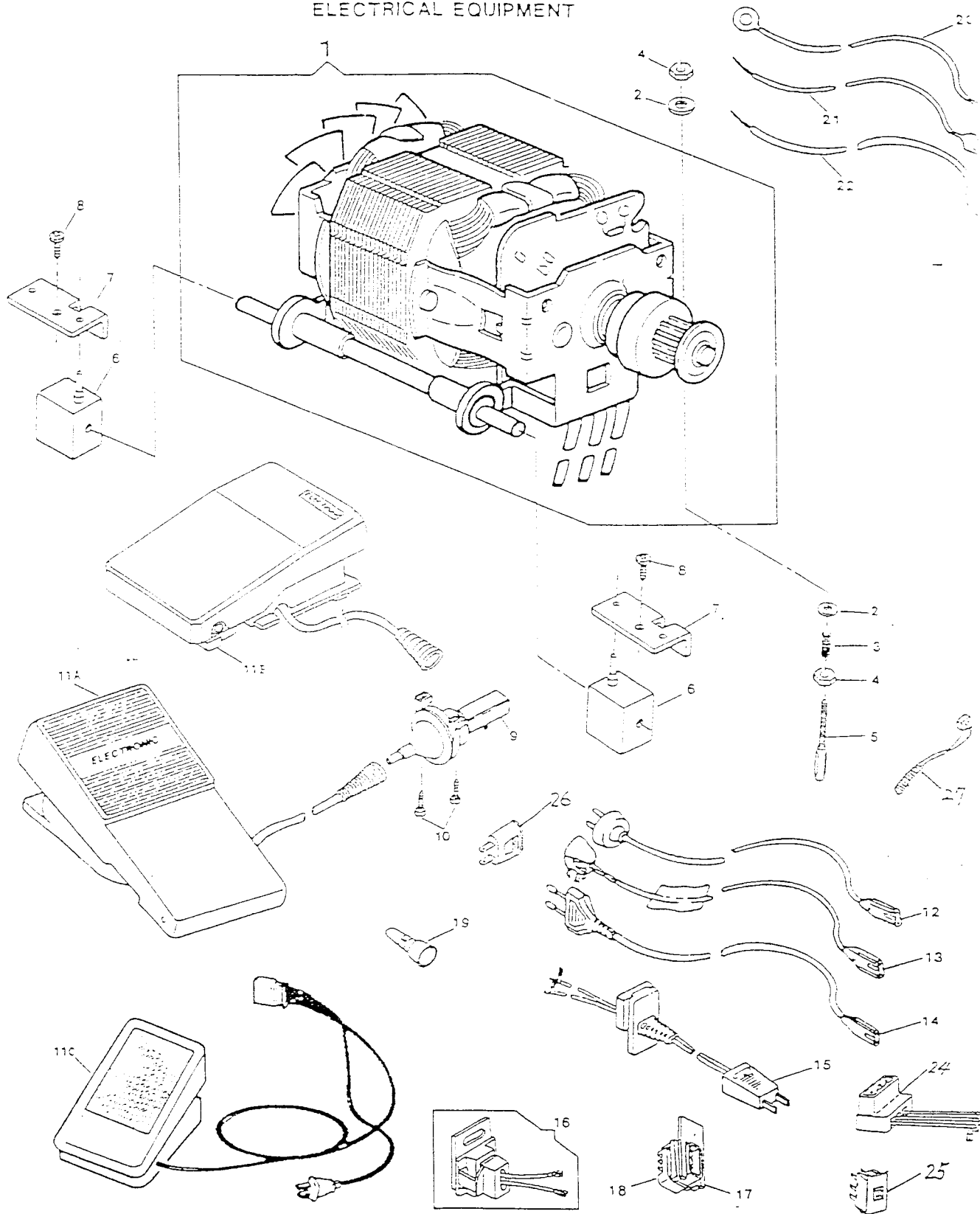
ELECTRICAL EQUIPMENT
 MODEL: 4552 4622 7028 9005 9008 9010

REF. PART NO.	PART NO.	DESCRIPTION	4	4	7	9	9N	9	9
			5	6	0	0	03	0	0
			5	2	2	0	07	0	1
			2	2	3	5	54	8	0
1	317352	MOTOR COMPLETE (120V CARBON PILE)	X	X	X	X		X	X
1	317279-001	MOTOR COMPLETE (DUAL VOLTAGE FOR U.S.A. /KOREA /GERMANY & H.K.)					X		X
1	317427-001	MOTOR COMPLETE (220V CARBON PILE) (FOR 9008N304)	X	X	X	X	X		X
1	317436	MOTOR COMPLETE (240V CARBON PILE)	X	X	X	X		X	X
2	37969	MOTOR ADJUSTING STUD NUT WASHER	X	X	X	X	X		X
3	314058	MOTOR BELT TENSION SPRING	X	X	X	X	X		X
4	53646	MOTOR ADJUSTING STUD NUT	X	X	X	X	X		X
5	988653-001	MOTOR ADJUSTING STUD	X	X	X	X	X		X
6	979329-001	RESILIENT MOUNT	X	X	X	X	X		X
7	988651-001	CLIP	X	X	X	X	X		X
8	113470-004	MOTOR MOUNTING SCREW	X	X	X	X	X		X
110	137904	FOOT CONTROLLER W/PLUG ASS'Y (240V) (U.K.)	X	X	X	X	X		X
110	317281-001	CARBON PILE FOOT CONTROLLER ASSEMBLY (230V) (EUROPE) (FOR 9008N304) (DUAL VOLTAGE FOR U.S.A. /KOREA /GERMANY & H.K.)	X	X	X	X	X		X
110	317281-002	CARBON PILE FOOT CONTROLLER ASSEMBLY (240V) (UK)	X	X	X	X		X	X
110	317281-003	CARBON PILE FOOT CONTROLLER ASSEMBLY (240V) (AUSTRALIA)	X	X	X	X		X	X
110	317281-006	CARBON PILE CONTROLLER ASSEMBLY (FOR ALL TERRITORIES EXCEPT AUSTRALIA, U.K., EUROPE & SCANDINAVIA)	X	X	X	X	X		X
110	317281-007	CARBON PILE FOOT CONTROLLER (230V FOR SCANDINAVIA)	X	X	X	X	X		X
110	317353-001	CARBON PILE FOOT CONTROLLER ASSEMBLY (120V FOR USA)	X		X	X		X	X
110	317353-002	CARBON PILE FOOT CONTROLLER ASSEMBLY (120V FOR OSA)	X	X	X	X		X	X
110	317353-003	CARBON PILE FOOT CONTROLLER ASSEMBLY (U.S./CANADA) (SPT-2)	X	X	X	X		X	X
110	319003-002	TRIAC FOOT CONTROLLER (ALTERNATE P/N 319003-001)					X		
110	319003-005	TRIAC FOOT CONTROLLER (DUAL VOLTAGE) (FOR U.S.A. ONLY)	X	X	X	X	X		X
13	137902	POWER PLUG WITH CORD ASS'Y (240V FOR U.K.)	X	X	X	X	X		X
17	317282-901	HOLDER (220V/240V) (FOR 9008N304) (DUAL VOLTAGE FOR U.S.A. /KOREA /GERMANY & H.K.)	X	X	X	X	X		X
17	317374-901	HOLDER (120V)	X	X	X	X		X	X
18	317421	RECEPTACLE (120V)	X	X	X	X		X	X
18	317428-900	RECEPTACLE (220V/240V) (FOR 9008N304)	X	X	X	X	X		X
19	317355	WIRE CONNECTOR	X	X	X	X	X		X
20	317356-001	LEAD (A) W/TERMINAL ASSEMBLY (120V)	X	X	X	X		X	X
21	317356-002	LEAD (B) W/TERMINAL ASSEMBLY (120V)	X	X	X	X		X	X
22	317356-003	LEAD W/TERMINAL ASSEMBLY (230/240V)	X	X	X	X	X		X
24	317283-001	RECEPTACLE W/LEAD ASS'Y (DUAL VOLTAGE FOR U.S.A. /KOREA /GERMANY & H.K.)					X		X
25	317284-901	VOLTAGE SELECTOR SWITCH (DUAL VOLTAGE FOR U.S.A. /KOREA /GERMANY & H.K.)					X		X
26	137547	ADAPTOR (DUAL VOLTAGE FOR U.S.A. /KOREA /GERMANY & H.K.)					X		X
27	540899	TY-WRAP SELF LOCKING (DUAL VOLTAGE FOR U.S.A. /KOREA /GERMANY & H.K.)					X		X

From the library of: Diamond Needle Corp



From the library of: Diamond Needle Corp



FILENAME: PLC8B32 .IMG/EYE

ELETRICAL EQUIPMENT (CONT.)
 MODEL:4552,4622,7028,9005,9008,9010

REF. PART NO.	PART NO.	DESCRIPTION	4	4	7	9	9N	9	9
			5	6	0	0	03	0	0
			5	2	2	0	07	0	1
			2	2	8	5	54	8	0
1A	314823-001	LINT AND HEAD SHIELD ASSEMBLY (220/240V) (FOR 9008N304)	X	X	X	X	X	X	X
1B	314823-003	LINT AND HEAD SHIELD ASSEMBLY (120V)	X	X	X	X		X	X
2A	317439	LAMP SOCKET(220/240V) (FOR 9008N304)	X	X	X	X	X	X	X
3	540899	TY-WRAP SELF-LOCKING (ALT:605600-001)	X	X	X	X	X	X	X
4A	317397-902	LAMP SOCKET ASSY(120V,DOUBLE INSULATION)	X	X	X	X		X	X
5	113455-003	THREAD TAKE-UP COVER /LINT AND HEAT SHIELD SCREW	X	X	X	X	X	X	X
6	446138	HEAT SHIELD MOUNTING SCREW WASHER	X	X	X	X	X	X	X
7	544211-002	HEAT SHIELD MOUNTING SCREW	X	X	X	X	X	X	X
8	194120-021	LIGHT BULB (240V) (ALT:542656-004)	X	X	X	X		X	X
8	194120-020	LIGHT BULB (220V) (ALT:542656-003) (FOR 9008N304)	X	X	X	X	X	X	X
8	194120-019	LIGHT BULB (120V) (ALT:542656-005) (DUAL VOLTAGE) (FOR U.S.A. /KOREA /GERMANY &H.K.)	X	X	X	X		X	X
10	979585-005	ROCKER SWITCH	X	X	X	X	X	X	X